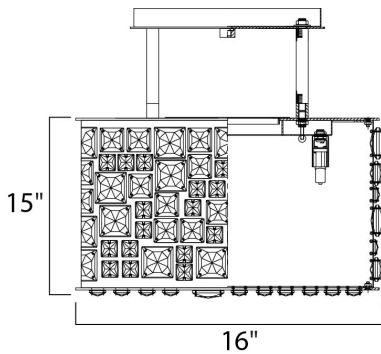




PRODUCT DESCRIPTION

A stately collection of laser cut steel finished in Luster Bronze and adorned with beveled FlambÃ© Crystals in Cognac, Mirror, and Clear arranged in an abstract pattern. These crystals are also found on the bottom of each fixture, creating a spectacular finish to this high-end collection.



MEASUREMENTS

DIMENSION : 16." L x 16." W x 15." H
 MAX OAH : 15." OAH
 HANGING WEIGHT : 28.6 lb

LAMPING

INPUT VOLTAGE : 120V
 LUMENS : 0 Rated (0 Del.)
 BULB : 6 x 40W (INCLUDED), 240W Total
 DIMMABLE : Dimmable

FINISHES OPTION

Luster Bronze LB



GLASS

Jewel Crystal JC

MATERIAL

Steel + Crystal

RATINGS

Dry Location
 Dimmable



ADDITIONAL

INSTALL UP/DOWN:
 RATED LIFE 2000 Hours
 OPERATING TEMPERATURE:
 -20°C (-4°F), 40°C (104°F)

Always consult a qualified electrician before installing any lighting product.



WESTERN DISTRIBUTION CENTER (HEADQUARTER)
 253 NORTH VINELAND AVE | CITY OF INDUSTRY, CA 91746
EASTERN DISTRIBUTION CENTER
 4200 SHIRLEY DR. | ATLANTA, GA 30336
 P. 626.956.4200 | F. 626.956.4225 | maximlighting.com