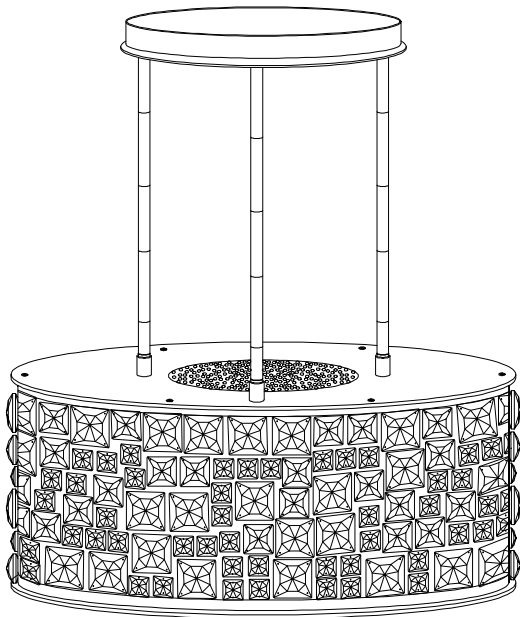


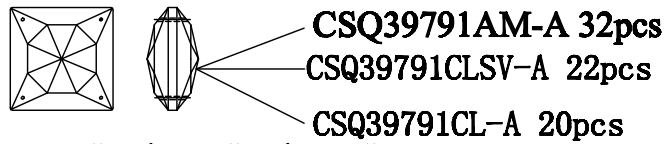


PRODUCT NAME: Fifth Avenue, 8lt pendant  
 ITEM NUMBER: 39796JCLB

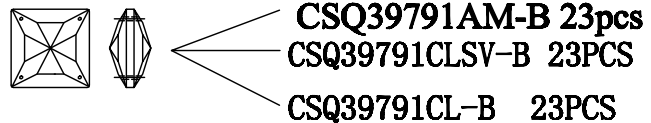
Please consult your electrician for hanging fixture and wiring.



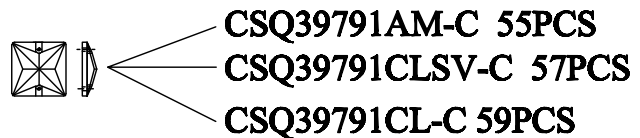
1.65"W\*1.65"W\*0.83"H



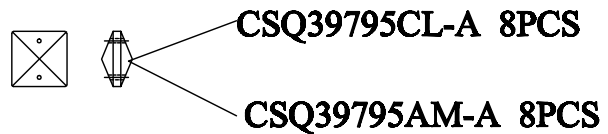
1.26"W\*1.26"W\*0.67"H



0.87"W\*0.87"W\*0.24"H



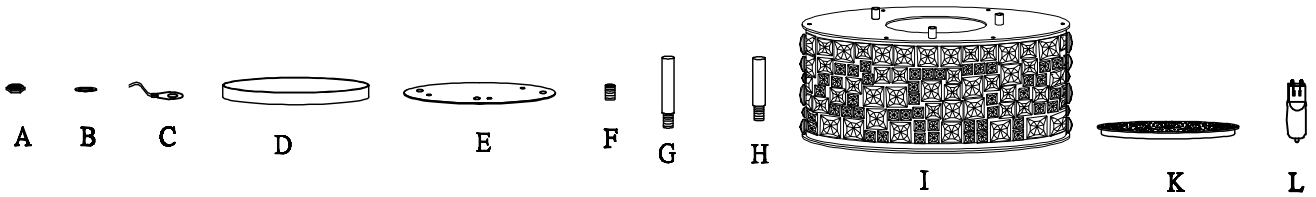
0.71"W\*0.71"W\*0.4"H



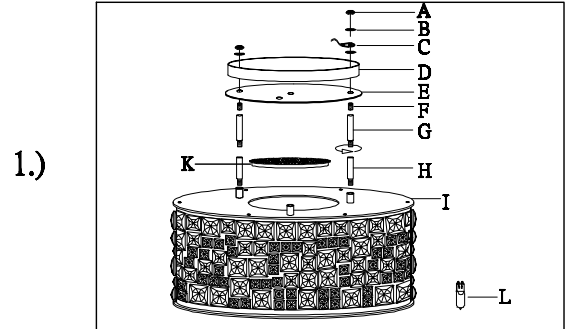
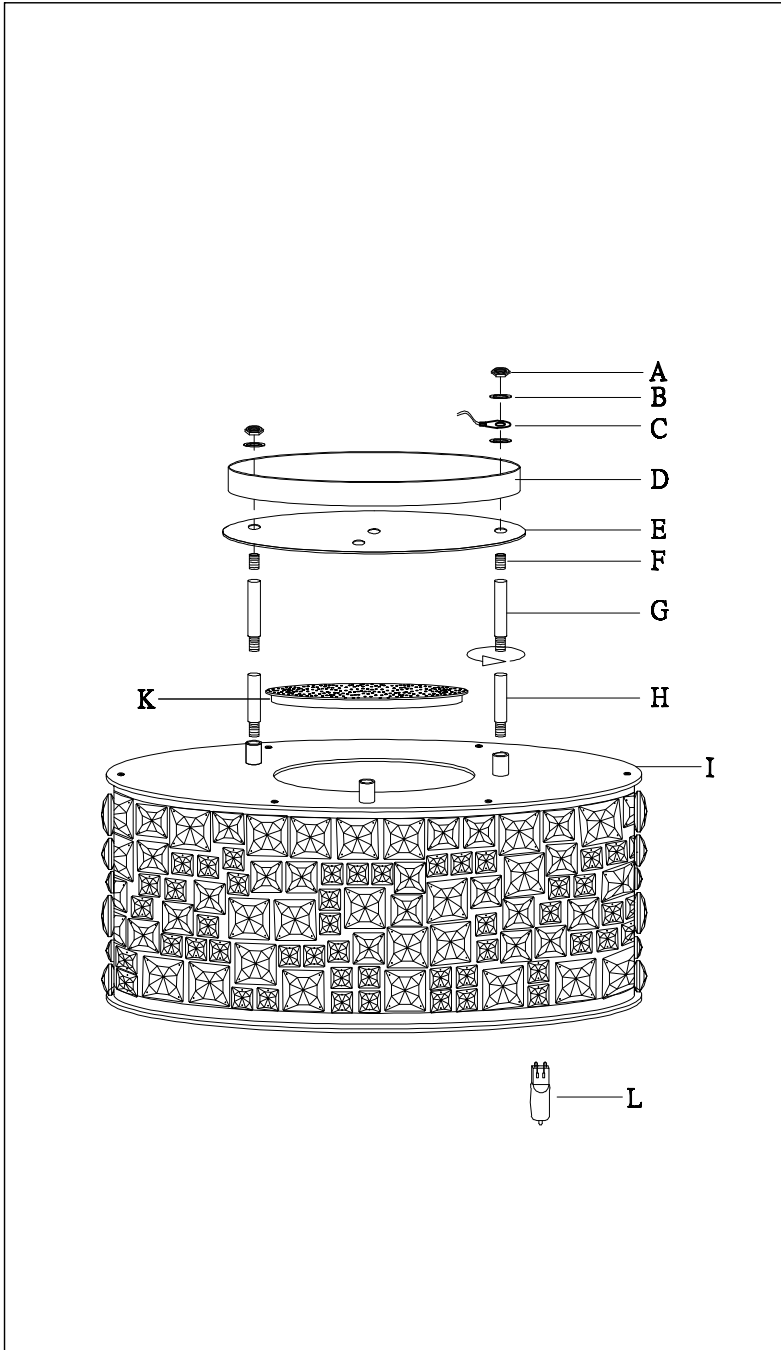
**WARNING: Xenon bulbs get very hot and may burn you. Always make sure bulbs are off for a minimum of 10 minutes before handling. Fixture may be dimmed using an electronic low voltage dimmer.**

**Bulb(included): 8-40W G9 bulbs**

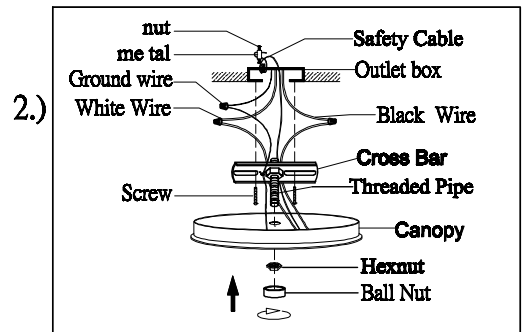
**IMPORTANT: Turn off the power at the main fuse or circuit breaker box before starting installation**



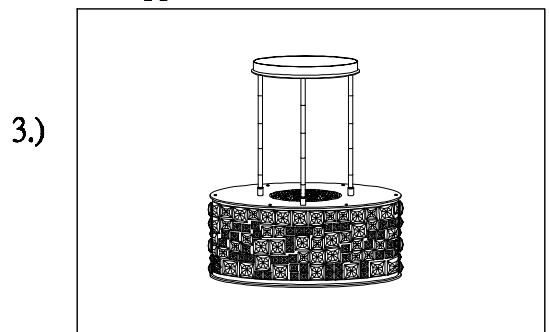
**Locate all hardware & components before discarding packaging**



**Step.1: Run wire through stems (G&H) as you attach the body (I). Combine stem lengths to meet desired mounting height. Install G9 bulbs (L),**



**Step.2: Remove mounting bracket from fixture and install to electrical box. Wire fixture to wires in outlet box. Copper wire is for Ground. On wire side**



**Step.3: Install fixture to bracket and tighten screws at the ends of the canopy (D) to secure.**

**Cleaning & Care:**

Clean with soft cloth and a mild detergent.  
Do not use abrasive cleaner.